



Product Materials

FRAME: One-piece, roll-formed stainless steel with bright annealed finish. Channel is 3/4" x 3/4" x 7/16" with 90° mitered corners. Double strength continuous integral stiffener on all sides for added strength.

BACK: Galvanized steel.

MIRROR: First quality 1/4" float glass, thermosetting infrared-cured paint backing with Poly-Glaze protective finish. Manufactured in accordance with ASTM C 1036 and ASTM C 1503. All edges protected by shock-absorbing, neoprene tubing. The back of the mirror is protected by a sheet of 1/4" extruded polystyrene, which is placed between the mirror and the galvanized steel.

SHELF: 18-gauge stainless steel with exposed surfaces in architectural satin finish. Flanged front and side, welded to frame.

SHELF BRACKETS: 16-gauge stainless steel are provided on units exceeding 48" width.

Installation

Verify all rough-in dimensions prior to installation. Secure concealed mounting bracket to wall with screws (not included) at holes provided. Mounting kits available through Bradley (ref. #899-026). For more information, visit bradleycorp.com. Provide in-wall backing at mounting screw locations. Position mirror over mounting bracket to engage hanger tabs. Slide mirror down and lock into position.

Guide Specification

Mirror shall be framed with one-piece, roll-formed stainless steel with 3/4" face and neatly mitered corners. Double strength continuous integral stiffener on all sides. Back of unit shall be galvanized steel. Separate mounting brackets for concealed mounting. Integral 18-gauge stainless steel shelf shall have front and side flanges with welded and polished corners. Mirror shall be of first quality 1/4" polished float glass, guaranteed for 15 years against silver spoilage and protected by shock-absorbing, neoprene tubing with Poly-Glaze protective finish.

ADA Compliant

- Consult local and national accessibility codes for proper installation guidelines.
- Conformity and compliance to local and national codes is the responsibility of the installer.



Models (Must select one)

Model 7815-016200	16" x 20" Mirror
Model 7815-016240	16" x 24" Mirror
Model 7815-018240	18" x 24" Mirror
Model 7815-018300	18" x 30" Mirror
Model 7815-018360	18" x 36" Mirror
Model 7815-024300	24" x 30" Mirror
Model 7815-024360	24" x 36" Mirror BradEX®

Optional Features

Features	Suffix
1/4" tempered glass mirror in lieu of polished float glass mirror ¹	-2

¹ Optional feature is only available for select styles: 18" x 30", 18" x 36" and 24" x 36".

- An inherent characteristic of a manufacturing process for tempered glass is distortion which may vary from mirror to mirror.
- Bradley mirrors are not field interchangeable from horizontal to vertical or vice versa. Always specify width first.

Orders composed of products indicated as **BradEX®** will be available to ship in three days after receipt of order at the factory. There is no pricing penalty for this service from Bradley.



A WATTS Brand

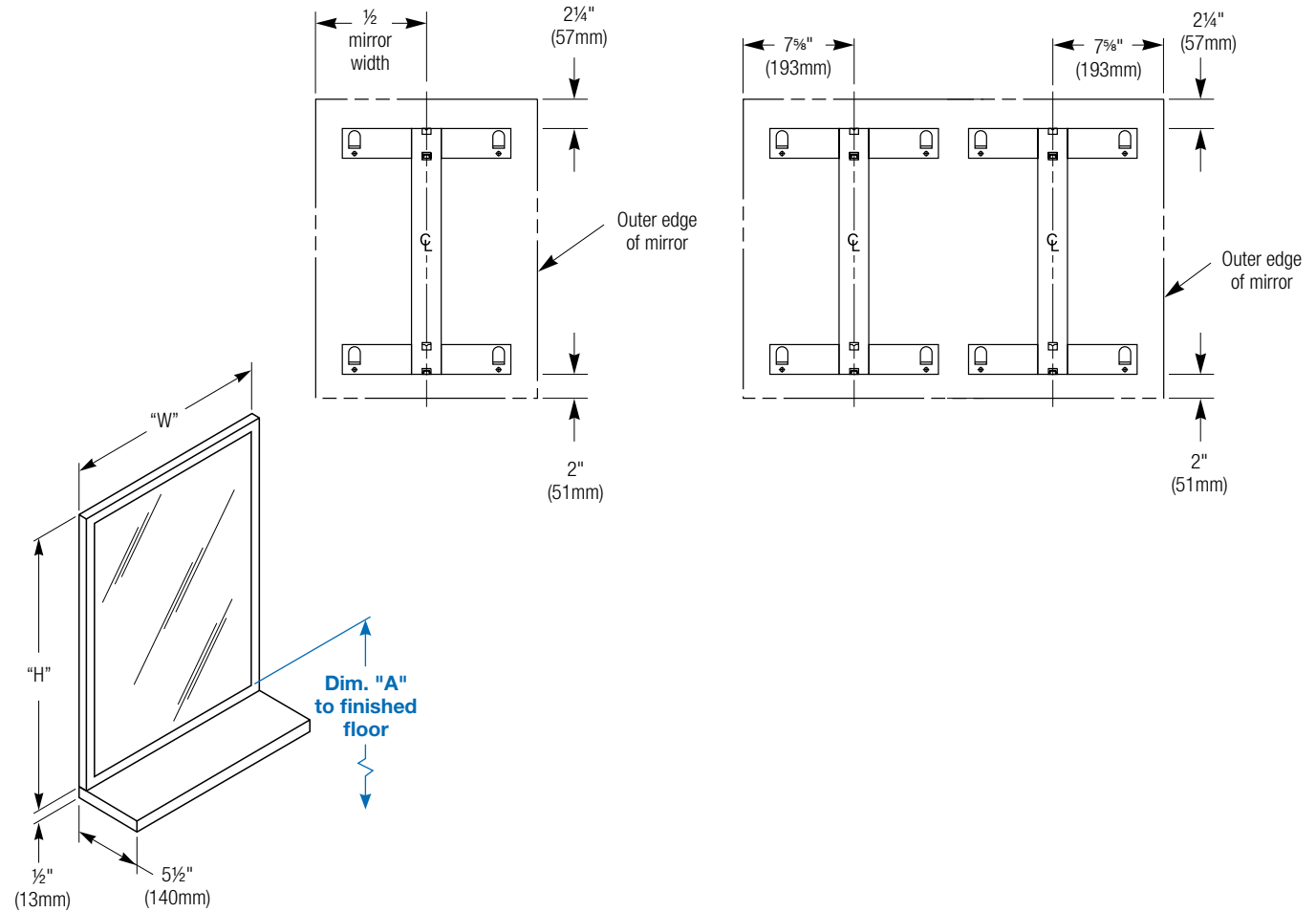
7815

Channel-Frame Mirror/Shelf

Dimensions

MIRRORS 30" WIDE AND UNDER

MIRRORS OVER 30" WIDE



Dim. "A" Key Surface:	For Dim. "A"	Bottom of Unit
Mirror's bottom edge of the reflecting surface to finished floor	40" (1016mm)	38 3/4" (984mm)
	37" (940mm)	35 3/4" (908mm)
	34" (864mm)	32 3/4" (832mm)
Rough wall opening:		
Surface Mount:	No rough wall opening, see overall dimensions	

Orders composed of products indicated as **BradEX**® will be available to ship in three days after receipt of order at the factory. There is no pricing penalty for this service from Bradley.

Page 2 of 2
 1/24/2024
 This information is subject to change without notice.
 Bradley_Mirror_7815

[View Latest Version](#)

© 2024 Bradley
 P.O. Box 309, Menomonee Falls, WI 53052-0309
 800 BRADLEY (800 272 3539) +1 262 251 6000
 bradleycorp.com