

Model 175 — Recessed **BradEX**[®]

Model 175-10 — Semi-Recessed
(recesses 2"; projects 2¹³/₃₂")

Model 175-11 — Surface-Mounted
(projects 4¹³/₃₂")

- Full Size Mirror
- Reversible in the Field

Product Materials

FLANGE: 22 gauge stainless steel with exposed surfaces in architectural satin finish. One-piece seamless construction, 1" wide with ¼" return.

CABINET: 26 gauge stainless steel.

DOOR: 22 gauge stainless steel with heavy-duty full-length piano hinge. Equipped with magnetic catches and spring-buffered rodstop.

MIRROR: First quality ¼" float glass triple-silvered, electro-copper plated with baked enamel backing, guaranteed for 15 years against silver spoilage. Protected by shock-absorbing filler.

INTERIOR SHELVES: 22 gauge stainless steel. Four shelves — three adjustable, one fixed. Each shelf area is 60 sq. in.

Operation

Spring-buffered rodstop prevents door from opening beyond 90 degrees.

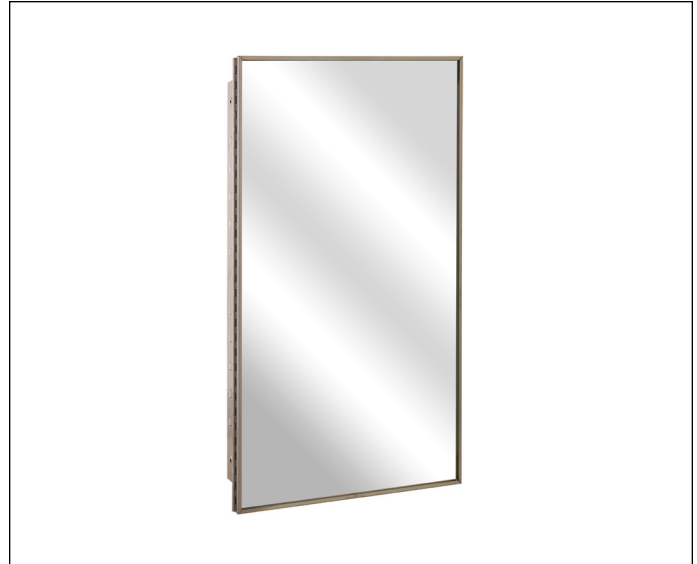
Installation

Verify all rough-in dimensions prior to installation. Recessed unit requires rough wall opening 15⁵/₈"W x 29¹/₈"H x 4"D. Secure to framing with mounting screws (included) at holes provided. Shim at screw points as required. Cabinet may be inverted for left hand door swing.

Guide Specification

Recessed medicine cabinet consisting of mirror and storage cabinet with four shelves shall be fabricated of stainless steel with exposed surfaces in satin finish. Mirrored door with full-length piano hinge. Interior of storage cabinet to have four shelves — three adjustable and one fixed. Adjustable for right or left hand door swing.

Overall dimensions: 17¹/₈"W x 30³/₈"H x 4"D.



ADA Compliant

- Consult local and national accessibility codes for proper installation guidelines.
- Conformity and compliance to local and national codes is the responsibility of the installer.

Orders composed of products indicated as **BradEX**[®] will be available to ship in three days after receipt of order at the factory. There is no pricing penalty for this service from Bradley.

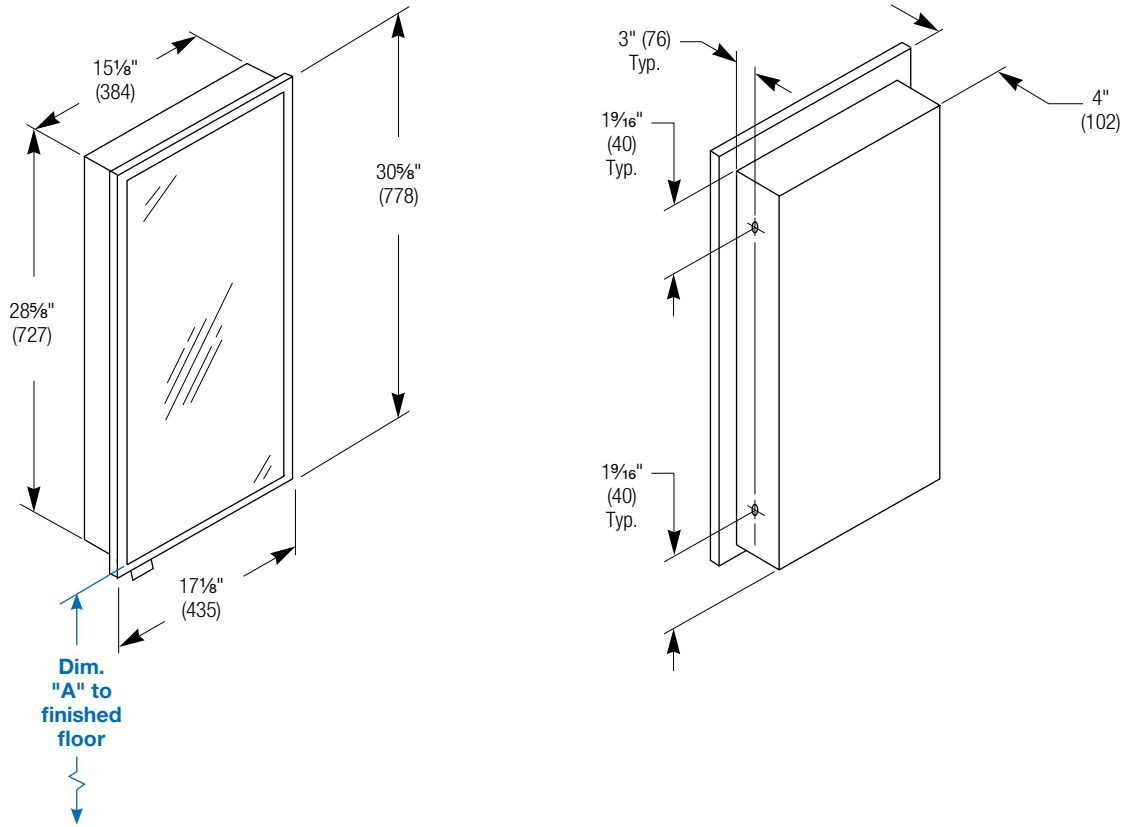


A WATTS Brand

175 Medicine Cabinet

Dimensions

(mm)



Dim. "A" Key Surface:	For Dim. "A"	Top of Rough Wall Opening	Bottom of Rough Wall Opening
Mirror's bottom edge of the reflecting surface to finished floor	48" (1219)	77 1/4" (1962)	48 1/8" (1222)
	45" (1143)	74 1/4" (1886)	45 1/8" (1146)
	42" (1067)	71 1/4" (1810)	42 1/8" (1070)
	40" (1016)	69 1/4" (1759)	40 1/8" (1019)
Rough wall opening:			
Surface Mount:	No rough opening, see overall dimensions		
Recessed:	15 5/8" (397) Wide x 29 1/8" (740) High x 4" (102) Deep		
Semi-Recessed:	15 5/8" (397) Wide x 29 1/8" (740) High x 2" (51) Deep		

Orders composed of products indicated as **BradEX**® will be available to ship in three days after receipt of order at the factory. There is no pricing penalty for this service from Bradley.

Page 2 of 2

8/4/2024

[View Latest Version](#)

This information is subject to change without notice.

Bradley_MedicineCabinet_175_10_11

© 2025 Bradley
P.O. Box 309, Menomonee Falls, WI 53052-0309
800 BRADLEY (800 272 3539) +1 262 251 6000
bradleycorp.com