



A WATTS Brand

# LVAD1 Verge® Wash Basin – LVA-Series

## Key Features

- Sophisticated design integrates a linear open concept
- Single piece cast design eliminates caulk lines and seams
- Basins available in polished Evero® Classic or Evero Matte cast quartz materials
- Standard system comes complete with mounting, access panel, drain assembly, and plumbing connections
- Available with WashBar® Duo in 6 PVD finishes
- Available with Verge™ deck-mounted soap dispensers and faucets in 6 PVD finishes
- Available with standard flexible bracket design or in wall carrier for various installation types and requirements. Both IAPMO certified to meet or exceed ANSI load requirements.

## Specifications

Accommodates one user at a time. The unit handles washroom traffic quickly and economically, while providing each user with personal space. The Verge Wash Basin is designed with standard lavatory spacing positioned on 30" centers and is available in Evero Classic - Geo Series or Pearl Series, or Evero Matte - Mason Series basin material.

## Product Compliance

### Listed by IAPMO R&T to

- Uniform Plumbing Code (UPC)
- National Plumbing Code of Canada
- International Plumbing Code (IPC)
- LVAD1 Evero Classic & Evero Matte: IGC 156 and the requirements of CSA B45.5/IAPMO Z124 and ASME A112.18.1/CSA B125.1
- LVAD1 Evero Matte: IGC 156 and the requirements of CSA B45.8/IAPMO Z403
- IGC 127 (WashBar)
- ASME A112.6.1M (In Wall Carrier)



### Listed by UL Environment to

- GreenGuard Gold



### Complies with

- ADA
- ICC/ANSI 117.1
- TAS
- NSF/ANSI 372



## Sustainability

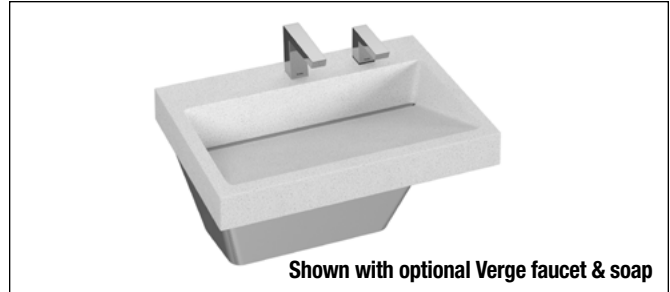
- Evero Classic and Evero Matte participate in the mindful MATERIALS library



Serves the American Disabilities Act and ICC/ANSI 117.1 guidelines, citations 306, 308, 309.4, 606.4, 606.5 when installed according to these requirements. Consult local codes and standards.



This plumbing fixture is designed for hand washing only. It is not intended to dispense water for human consumption through drinking or for preparation of food or beverages.



Shown with optional Verge faucet & soap



Shown with optional WashBar Duo

## Finishes



Click on any color swatch to view as a larger image.



Polished Chrome



Brushed Black Stainless\*



Brushed Stainless\*



Brushed Bronze\*



Brushed Brass\*



Brushed Nickel\*

\*PVD Finishes, see PVD Finishes section.

## \* PVD Finishes

Physical Vapor Deposition is an intricate, environmentally friendly finishing process that molecularly bonds the finish to the faucet, creating a very hard, durable surface that will not corrode, discolor, or tarnish.

## Compatible Bradley Products

- [Verge Coordinated Soap and Faucet](#)
- [WashBar Duo](#)
- [Lav Carrier](#)



### Construction

#### Basin

The basin has been designed to direct water to a trench drain and features a 300 series stainless steel drain cap. The basin is constructed of either the natural quartz surface Evero Classic - Geo or Pearl Series, or the natural stone-like quartz surface Evero Matte - Mason Series.

[Evero Classic - Geo Series](#) is a polished natural quartz surface made from a blend of bio-based resin, natural quartz, granite, and other exotic minerals.

[Evero Classic - Pearl Series](#) is a polished natural quartz surface made of bio-based resin, sea shells, and natural quartz.

[Evero Matte - Mason Series](#) is a matte natural stone-like quartz surface made from a blend of bio-based resin and a unique mixture of extra fine grade quartz.



Variations in the natural stone color, pattern, size, shape, and shade are inherent. Due to these unique characteristics, please expect subtle shade variations when units are installed adjacent to each other.

#### Mounting Support

Offering two robust mounting support solutions to meet diverse installation needs: certified in-wall carrier for high-strength, concealed support, and our standard bracket design that provides flexible stud or wall blocking anchor locations. Support bracket design allows for flexible stud or wall blocking anchor locations. Both options are IAPMO certified and meet or exceed ANSI load requirements, ensuring durable performance and code-compliant installation.

#### Access Panel

Minimalistic panel is composed of decorative 300 series stainless steel or black, powder-coated stainless steel. Water supplies, valves, waste assembly, and other optional items are concealed within the panel. Select the enclosed bottom access panel for vandal-prone applications. The swing down access panel is designed to ease the maintenance process by eliminating tools and only requires one person for installation and access. Top edge of the access panel has been hemmed to reduce sharpness.

#### Faucet Options

Choose from our 0.35 gpm (1.30 Lpm), 0.05 gpc (0.25 Lpc) or 0.50 gpm (1.90 Lpm), 0.09 gpc (0.35 Lpc) Verge Faucets – Crestt, Metro, Linea, or Zen Series. Available in 0.35 gpm (1.30 Lpm), 0.05 gpc (0.25 Lpc) or 0.50 gpm (1.90 Lpm), 0.09 gpc (0.35 Lpc) WashBar Duo WBD1 includes soap dispenser and faucet in a single piece casting. Verge faucets and WashBar Duo come as chrome-plated with optional in-stock PVD finishes. Also available are 4" centerset and centershank faucet drillings for faucets by others. Optional 4" centerset trim plates are available for additional vandal resistance.

#### Soap Dispensers

Choose from our Verge Deck-Mounted Soap Dispensers – Crestt, Metro, Linea, or Zen Series. Also available with WashBar Duo WBD1, foam or liquid soap. WashBar Duo accommodates a 1 gallon cylindrical soap container, provided by others. Verge soap dispensers and WashBar Duo come as chrome-plated with optional in-stock PVD finishes. Soap drillings available for soap by others.

Please visit <https://www.bradleycorp.com/maintenance/soap-dispensers> for soap recommendations.

#### Strainer and Drain Assembly System

Strainer and drain assembly system comes complete with 300 series stainless steel trench drain cap, tailpiece, and polypropylene P-trap. Optional chrome-plated P-trap available. Select the slotted drain cap with vandal-resistant screws for vandal-prone applications. Configured with one drain and one set of supplies.



### Verge Soap and Faucet Power Supply

	<b>1-Station</b>	<b>2-Station</b>	<b>3-Station</b>
<b>Faucet Only</b>	AC Adapter X 1 1 duplex outlet required	AC Adapter X 2 1 duplex outlet required	AC Splitter X 1 1 duplex outlet required
<b>Soap Only</b>	AC Adapter X 1 1 duplex outlet required	AC Adapter X 1 1 duplex outlet required	AC Splitter X 1 1 duplex outlet required
<b>Faucet &amp; Soap</b>	AC Adapter X 2 1 duplex outlet required	AC Adapter X 1 1 duplex outlet required	AC Splitter X 2 1 duplex outlet required
<b>Soap &amp; Multi-Feed</b>	NA	NA	AC Splitter X 1 1 duplex outlet required
<b>Faucet, Soap &amp; Multi-Feed</b>	NA	NA	AC Splitter X 2 1 duplex outlet required

Note: AC power supply will include either individual AC plug-in adapter OR 4-way splitter assembly depending on the configuration.



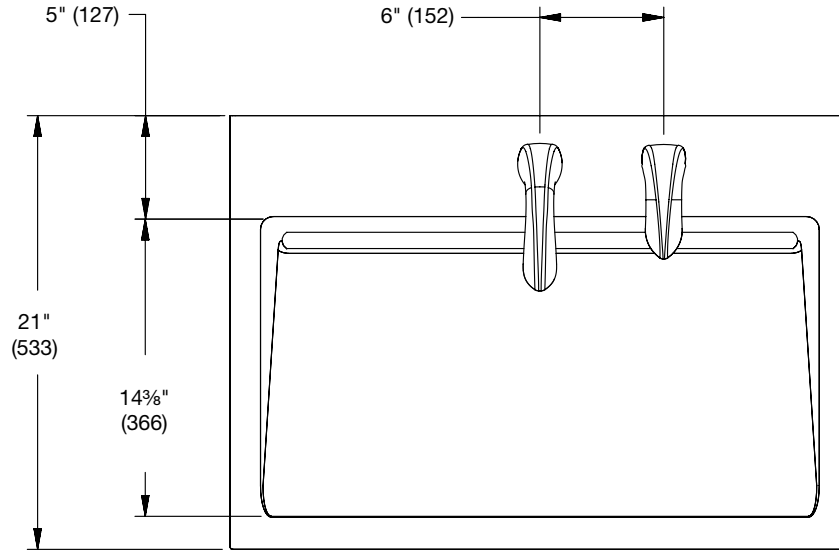
# LVAD1 Verge® Wash Basin – LVA-Series

## Dimensions for LVAD1 Verge Wash Basin (Shown with Crestt Series Faucet and Soap)

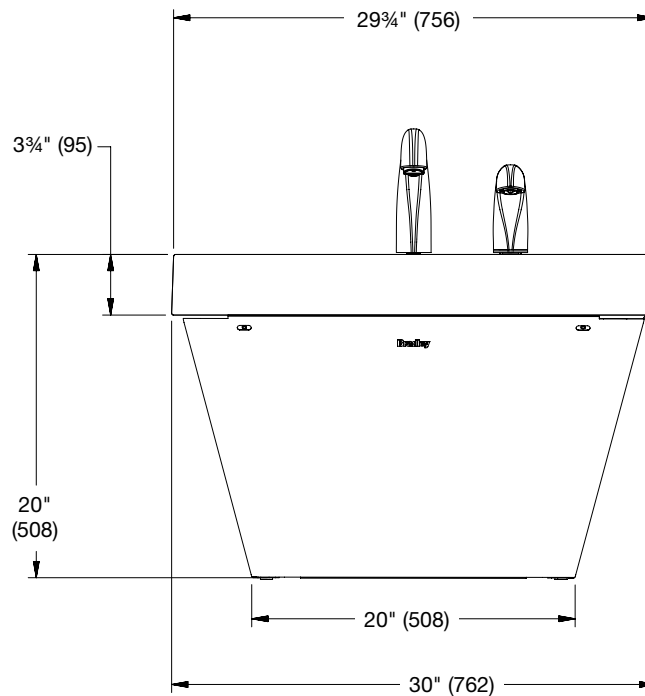
(mm)

For dimensional views of the LVAD1 Verge Wash Basin with WashBar Duo, reference [WashBar Duo WBD1 tech data](#).

### Top View



### Front View



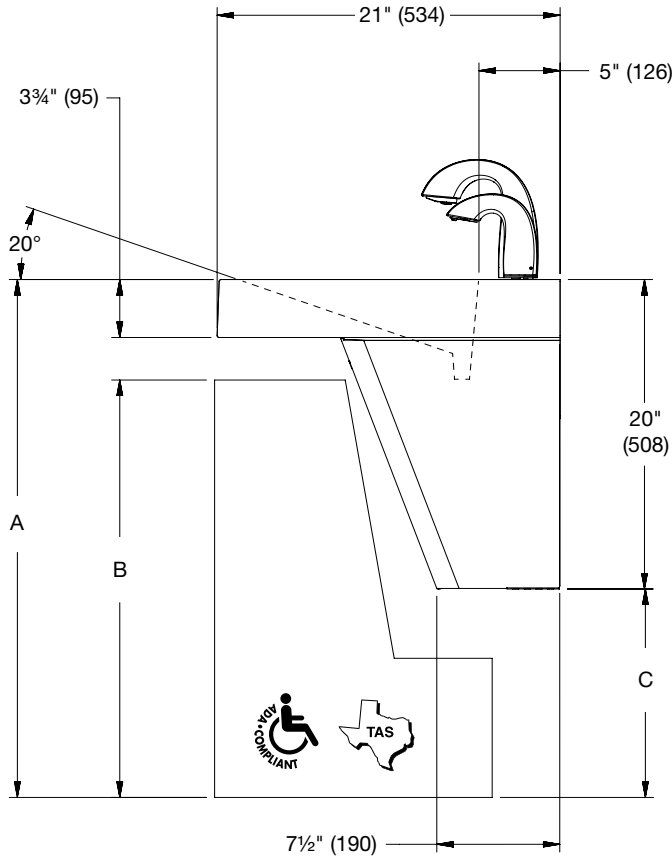


# LVAD1 Verge® Wash Basin – LVA-Series

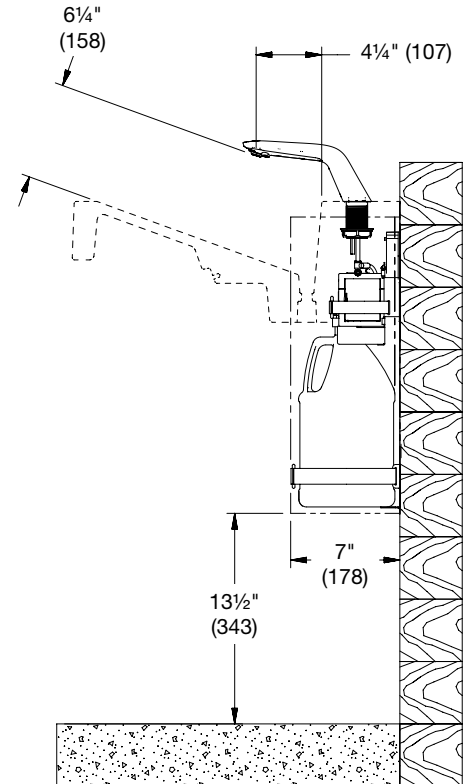
## Dimensions for LVAD1 Verge Wash Basin

(mm)

Side View with Faucet



Side View with WashBar Duo



	ADA/TAS Standard Height	ADA/TAS Juvenile Height (Children 6-12 years)	CSA Standard Height
<b>Dim A</b>	33½" (851)	30½" (775)	33½" (851)
<b>Dim B</b>	27" (686)	24" (610)	29 <sup>29</sup> / <sub>32</sub> " (760)
<b>Dim C</b>	13½" (343)	10½" (267)	13½" (536)
<b>Notes</b>	At least one basin must meet dimensional requirements and have proper reach, knee, and toe clearance.	At least one basin must meet dimensional requirements and have proper reach, knee, and toe clearance.	



A WATTS Brand

# LVAD1 Verge® Wash Basin – LVA-Series

(mm)

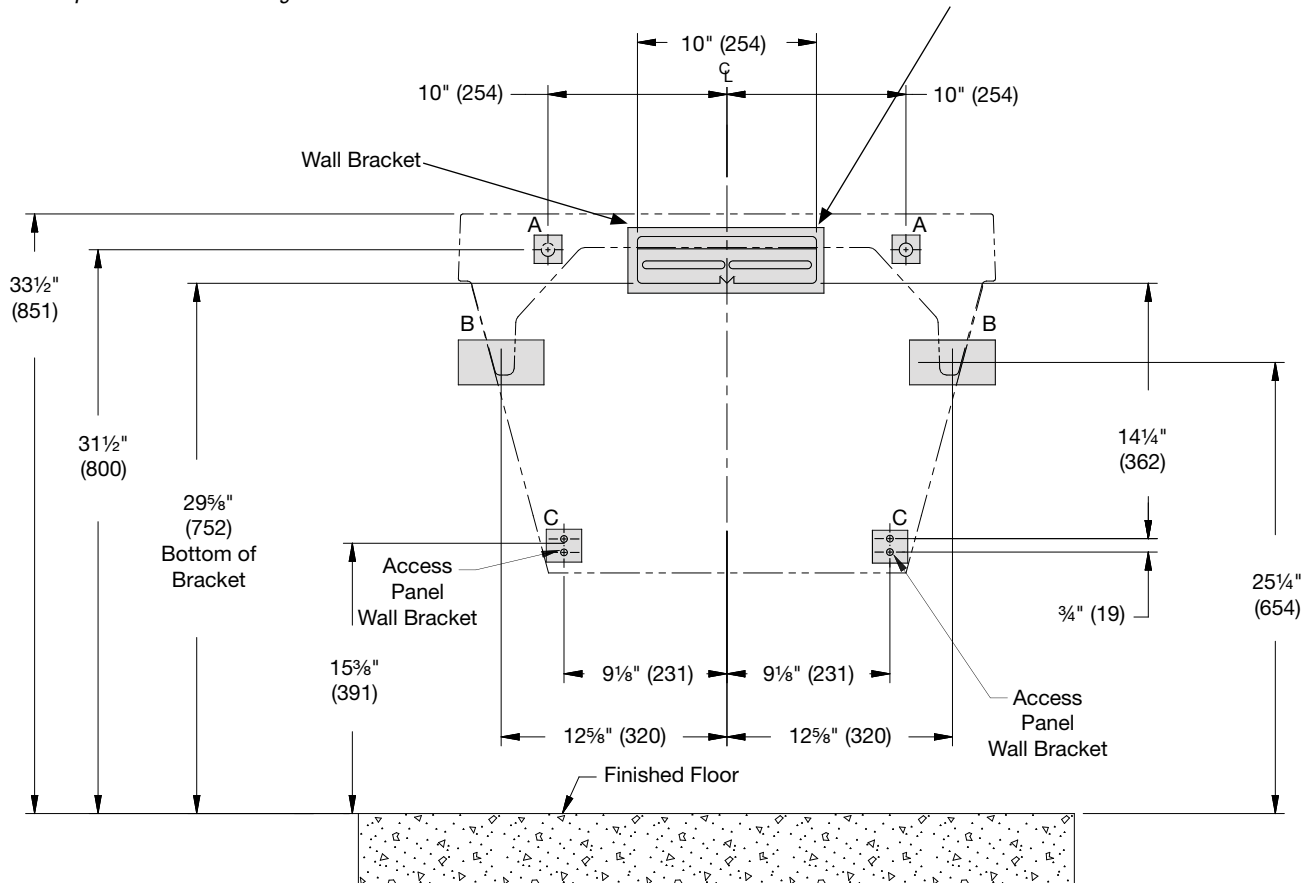
## Rough-Ins for LVAD1 Verge Wash Basin

For rough-in information for LVAD1 Verge Wash Basin with WashBar Duo, reference [WashBar Duo WBD1 tech data](#).

**⚠ WARNING** Ensure bowl is completely seated in the wall bracket and securely fastened to the wall at point A.

- Mounting for Standard ADA and TAS height shown.
- Points A, B, and C require sufficient backing compliant with local building codes.

Secure bracket to wall using min. 3/8" anchor bolt to the left of C/L and min. 3/8" anchor bolt to the right of C/L. The anchor bolt to the right of C/L must be min. 5" apart from the anchor bolt to the left of C/L. When mounting is complete, check to ensure the bracket is level.



CODE	DESCRIPTION	QTY.
A	Install (1) 3/8" wall anchor with a minimum pull-out force of 1,000 lb per local codes at locations shown.	2
B	Provide structural backing compliant with local building codes.	2
C	Install wall anchor with a minimum pull-out force of 100 lb per local codes at locations shown.	4

RIM HEIGHT	VERTICAL HEIGHT ADJUSTMENTS	FIXTURE STYLE
33 1/2"	No Adjustment	Standard Height ADA, TAS and CSA
30 1/2"	Subtract 3"	Juvenile ADA and TAS

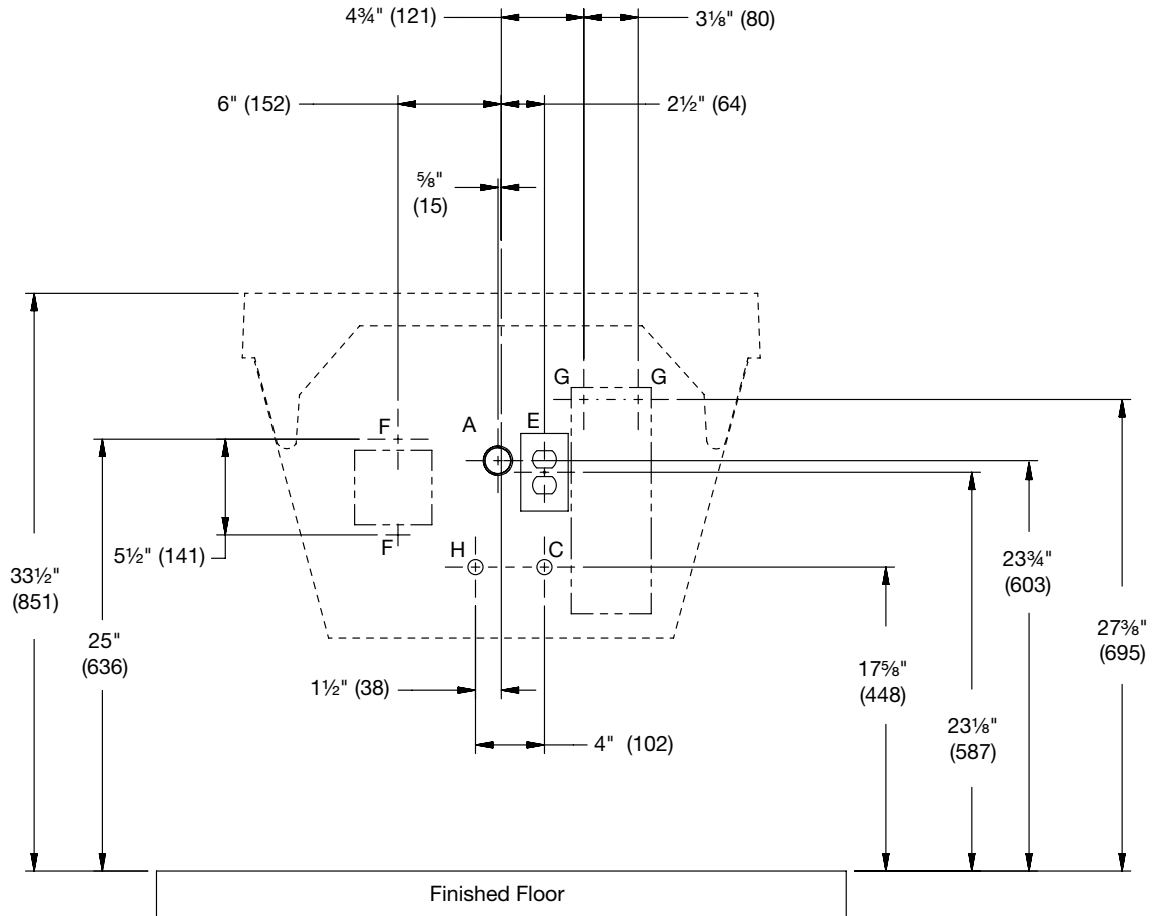


# LVAD1 Verge® Wash Basin – LVA-Series

## Rough-Ins for LVAD1 Verge Wash Basin

(mm)

Mounting for Standard ADA and TAS height shown.



CODE	DESCRIPTION	QTY.
A	1 1/2" NPT Drain, Stub-out 2" from wall, individual waste option	1
H,C	1/2" Nominal (5/8" O.D. Comp.) Hot/Cold supplies, Stub-out 2" from wall	1
E	110V GFI protected electrical outlet (AC faucet and soap only) WashBar Duo requires 120V AC, GFCI outlet properly grounded	1
F	#10 Anchors for Faucet Control Box Installation	2
G	#10 Anchors for Soap Tank Installation	2



A WATTS Brand

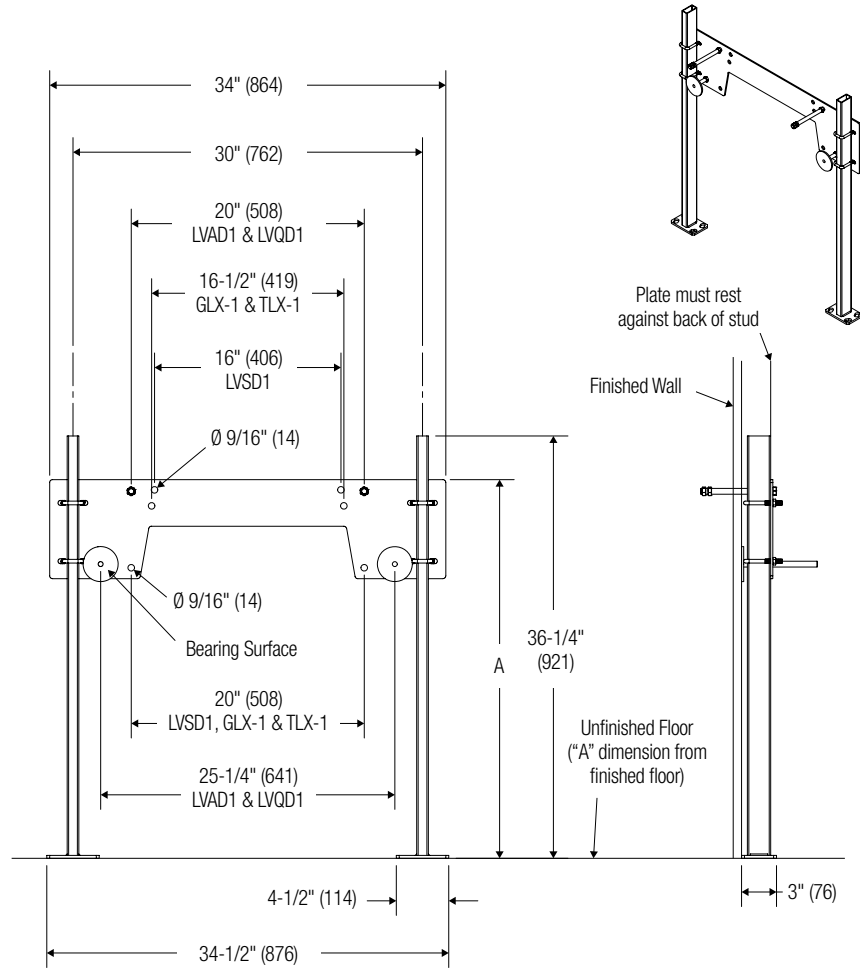
# LVAD1 Verge® Wash Basin – LVA-Series

## Rough-Ins for S17-391 (1-Station In-Wall Lav Carrier) Rough-Ins

(mm)

[In-Wall Lav Carrier Tech Data](#)

Fixture	"A" Finished Floor Dimension
LVAD1, LVQD1, LVSD1	32-1/2"
GLX-1, TLX-1	33-1/2"





A WATTS Brand

# LVAD1 Verge® Wash Basin – LVA-Series

<b>Models (Must select one)</b>					
<b>Model</b>	<b>Description</b>				
LVAD1	Verge Wash Basin – LVA-Series, One-Station				
<b>Standard Selections (Must select one from each category)</b>					
<b>Country of Installation (select one)</b>					
C1	United States or Canada				
<b>Material Type (select one)</b>					
EC	Evero Classic – Polished Finish				
EM	Evero Matte – Matte Finish				
<b>Color of Evero® Bowl (select one)</b>					
<b>NOTE: Click on any swatch to view as a larger image.</b>					
<i>Evero Classic - Geo Series <sup>1</sup></i>					
ANDORRA		Andorra	MOJAVE		Mojave
ANTARCTICA		Antarctica	MYKONOS		Mykonos
ARUBA		Aruba	PATAGONIA		Patagonia
BLACK-SEA		Black Sea	RAINIER		Rainier
DENALI		Denali	SIENA		Sienna
GLACIER		Glacier Bay	SIERRA		Sierra Madre
KALAHARI		Kalahari	YUKON		Yukon
<i>Evero Classic - Pearl Series <sup>1</sup> (available at an additional charge)</i>					
AKOYA		Akoya	BLACK-MOON		Black Moon
<i>Evero Matte - Mason Series <sup>2</sup></i>					
CINDER		Cinder	MESA WHITE		Mesa White
LIMESTONE		Limestone	SANDBAR		Sandbar
LUNAR GRAY		Lunar Gray			







<sup>1</sup> Available with Material Type EC only.  
<sup>2</sup> Available with Material Type EM only.  
<sup>3</sup> Available with Verge faucet selection only.  
<sup>4</sup> Available with faucet drilling only.  
<sup>5</sup> Available with faucet or WBD1 selection only.  
<sup>6</sup> AC power supply will include either individual AC plug-in adapter or 4-way AC splitter assembly depending on configuration. Refer to the Verge Soap and Faucet Power Supply chart on page 4 for to learn what power supply the configurator will pull in.  
<sup>7</sup> Available with Verge soap dispenser selection only.  
<sup>8</sup> Available with soap dispenser drilling only.  
<sup>9</sup> Available with Verge soap dispensers or WBD1 only.  
<sup>10</sup> Trim plate finish will match Faucet Finish for PC, BB & BS. All other faucet finishes will receive a PC trim plate.

<b>Standard Selections (continued)</b>	
<b>Faucet Type (select one)</b>	
<a href="#">WBD1</a>	WashBar Duo (available with soap dispenser type WBD1 only)
<a href="#">S53-3100</a>	Verge Faucet – Crestt Series
<a href="#">S53-3300</a>	Verge Faucet – Metro Series
<a href="#">S53-3500</a>	Verge Faucet – Linea Series
<a href="#">S53-3700</a>	Verge Faucet – Zen Series
<a href="#">WBD1-DO</a>	WashBar Duo Drilling Only
<a href="#">S53-3100-P</a>	Verge Faucet – Crestt Series, Includes Trim Plate <sup>10</sup>
<a href="#">S53-3300-P</a>	Verge Faucet – Metro Series, Includes Trim Plate <sup>10</sup>
<a href="#">S53-3500-P</a>	Verge Faucet – Linea Series, Includes Trim Plate <sup>10</sup>
<a href="#">S53-3700-P</a>	Verge Faucet – Zen Series, Includes Trim Plate <sup>10</sup>
<b>4" Set</b>	4" Centerset (1¼" Drilling Only)
<b>SHANK</b>	Centershank (1¼" Drilling Only)
<b>NFD</b>	No Faucet Drilling
<b>Faucet Activation Type (select one)</b>	
<b>R</b>	Touch-Free Activation <sup>3</sup>
<b>NONE</b>	No Activation <sup>4</sup>
<b>Water Supply Type (select one)</b>	
<b>T</b>	Thermostatic Mixing Assembly (supply hoses and shut-offs included)
<b>L</b>	Single Tempered Line Assembly (supply hoses and shut-offs included)
<b>Flow Control Type <sup>5</sup> (select one)</b>	
<b>3</b>	0.35 gpm Silicone Tip, Multiple Individual Laminar Flow Streams
<b>5</b>	0.50 gpm Silicone Tip, Multiple Individual Laminar Flow Streams
<b>Faucet Finish Type <sup>5 10</sup> (select one)</b>	
<b>PC</b>	Polished Chrome
<b>BB</b>	Brushed Black Stainless
<b>BS</b>	Brushed Stainless
<b>BZ</b>	Brushed Bronze
<b>BR</b>	Brushed Brass
<b>BN</b>	Brushed Nickel
<i>Trench drain cap will always have a stainless steel finish.</i>	
<b>Faucet Power Supply (select one)</b>	
<b>AC</b>	AC Power <sup>3 6</sup>
<b>BA</b>	Battery – 4x AA alkaline batteries included per faucet <sup>3</sup>
<b>NONE</b>	No Power Supply <sup>4</sup>
<b>Soap Dispenser Type (select one)</b>	
<a href="#">WBD1</a>	WashBar Duo (available with faucet type WBD1 only)
<a href="#">6-3100</a>	Verge Deck-Mounted Soap Dispenser – Crestt Series <sup>3</sup>
<a href="#">6-3300</a>	Verge Deck-Mounted Soap Dispenser – Metro Series <sup>3</sup>
<a href="#">6-3500</a>	Verge Deck-Mounted Soap Dispenser – Linea Series <sup>3</sup>
<a href="#">6-3700</a>	Verge Deck-Mounted Soap Dispenser – Zen Series <sup>3</sup>
<a href="#">WBD1-DO</a>	WashBar Duo Drilling Only
<b>SDO</b>	1-3/8" Soap Drilling Only
<b>NSD</b>	No Soap Dispenser/No Drilling



A WATTS Brand

# LVAD1 Verge® Wash Basin – LVA-Series

<b>Soap Activation Type (select one)</b>	
R	Touch-Free Activation <sup>7</sup>
NONE	No Activation <sup>8</sup>
<b>Soap Type <sup>9</sup> (select one)</b>	
F	Foam Soap
L	Liquid Soap
<b>Soap Fill System <sup>7</sup> (select one)</b>	
T	Single (top fill at spout)
<b>Soap Dispenser Finish Type <sup>9</sup> (select one)</b>	
PC	 Polished Chrome
BB	 Brushed Black Stainless
BS	 Brushed Stainless
BZ	 Brushed Bronze
BR	 Brushed Brass
BN	 Brushed Nickel
<b>Soap Power Supply (select one)</b>	
AC	AC Power <sup>6 7</sup>
BA	Battery <sup>7</sup> – 4x D-cell batteries included per dispenser
NONE	No Power Supply <sup>8</sup>
<b>Trench Drain Cap Type (select one)</b>	
DR1	Stainless Steel Trench Drain Cap
DR2	Slotted Stainless Steel Trench Drain Cap w/ Vandal Screws
<i>Trench drain cap will always have a stainless steel finish.</i>	
<b>Access Panel Type (select one)</b>	
STAIN	Swing Down Stainless Steel
STAIN-E	Swing Down Stainless Steel w/Enclosed Bottom
PWB	Swing Down Matte Black Powder-Coated Stainless Steel
PWB-E	Swing Down Matte Black Powder-Coated Stainless Steel w/Enclosed Bottom
<b>Access Panel Fastener Type (select one)</b>	
TS	Thumb Screw
VS	Vandal Resistant Screw
CL	Cam Lock
<b>Waste Assembly Type (select one)</b>	
S-POLY	Single Polypropylene P-Trap
S-CHROME	Single Chrome-Plated P-Trap

<b>Additional Parts for Purchase</b> (Must order as separate line item)	
<b>Bradley Certified Floor Mounted Carrier</b>	
<b>S17-391</b>	1 station in-wall plate style lav carrier (Includes 1 hanger plate, 2 structural uprights per plate, hardware)

- <sup>1</sup> Available with Material Type EC only.
- <sup>2</sup> Available with Material Type EM only.
- <sup>3</sup> Available with Verge faucet selection only.
- <sup>4</sup> Available with faucet drilling only.
- <sup>5</sup> Available with faucet or WBD1 selection only.
- <sup>6</sup> AC power supply will include either individual AC plug-in adapter or 4-way AC splitter assembly depending on configuration. Refer to the Verge Soap and Faucet Power Supply chart on page 4 for to learn what power supply the configurator will pull in.
- <sup>7</sup> Available with Verge soap dispenser selection only.
- <sup>8</sup> Available with soap dispenser drilling only.
- <sup>9</sup> Available with Verge soap dispensers or WBD1 only.
- <sup>10</sup> Trim plate finish will match Faucet Finish for PC, BB & BS. All other faucet finishes will receive a PC trim plate.