



A WATTS Brand

S19345HXB, S19345HXBT, S19345HFB, S19345HFBT, S19345HXBD, S19345HFBD

Barrier-Free Recessed Drench Shower and Halo Eyewash

- Halo™ Delivers the Most Effective Eye Washdown Coverage and Spray Pattern
- Exceeds American National Standard Z358.1 Specifications
- Durable, Ceramic Valve
- Precise 20° Swing-Down Activation
- Shower Activation Handle is Fully Recessed
- Sturdy One-Piece Cabinet for Quick and Easy Installation
- Chrome-Plated Brass on Exposed Piping and Fittings
- Universal Identification Sign and Inspection Tag Included
- SpinTec™ Showerheads are Covered by One or More of the Following Patents: 8,113,446; 7,806,348; 8,490,895; D594,089; D669,555; Reg. Comm. Des. D001079560-0001. Other Patents Pending.
- Halo™ is Covered by One or More of the Following Patents: 9,700,484; 9,314,398; D662220; D673298; D662605; D685920. Other Patents Pending.



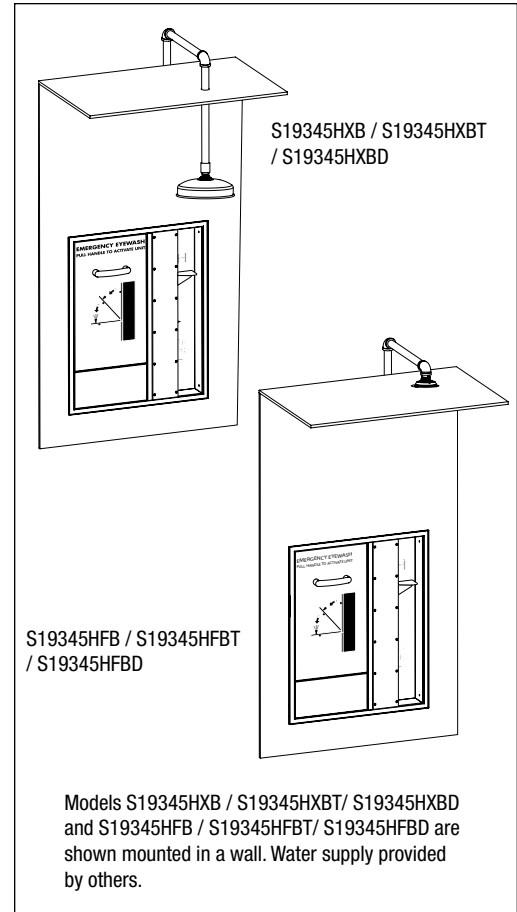
Specifications

Barrier-free design makes this shower and eyewash fully accessible to people with physical disabilities. Halo eyewash provides effective wash down coverage and spray pattern. Integral strainer reduces debris in the water and also prevents clogging. Unit is flush-mounted into the wall. This unit is designed to accommodate areas where space considerations are a concern. Such areas may include, but are not limited to, laboratories, hospitals, and schools. Shower activation handle does not break the plane of the wall. This ensures no obstructions protrude from the wall. Shower valve activates when handle is pushed downward. No tight pinching or grasping is required. Showerhead is designed for varying water supply pressures from 30-90 PSI ensures a minimum flow of 20 GPM for ANSI compliance. Eyewash operates by pulling cabinet door down. New vandal resistant ceramic valve limits wear and tear on moving parts, providing dependability and long lasting performance. Water is collected by the door assembly and directed back into the wall for drainage.

ANSI Z358.1 compliant drench showers are mounted between 82"–96" from the lower edge of the showerhead or shroud to the floor.

This plumbing fixture is not intended to dispense water for human consumption through drinking or for preparation of food or beverages.

Model	Description
S19345HXB	Barrier-Free Recessed Drench Shower and Halo Eyewash with Recessed Shower Handle, Extended Showerhead and Tailpiece
S19345HFB	Barrier-Free Recessed Drench Shower and Halo Eyewash with Recessed Shower Handle, Flush-Mounted Showerhead and Tailpiece
S19345HXBT	Barrier-Free Recessed Drench Shower and Halo Eyewash with Recessed Shower Handle, Extended Showerhead and P-trap
S19345HFBT	Barrier-Free Recessed Drench Shower and Halo Eyewash with Recessed Shower Handle, Flush-Mounted Showerhead and P-trap
S19345HXBD	Barrier-Free Recessed Drench Shower and Halo Eyewash with Recessed Shower Handle, Extended Showerhead and Daylight drain
S19345HFBD	Barrier-Free Recessed Drench Shower and Halo Eyewash with Recessed Shower Handle, Flush-Mounted Showerhead and Daylight drain



Recommended Option:

Navigator S19-2100 EFX25
Emergency Thermostatic Mixing Valve

NAVIGATOR



Satisfies ANSI Z358.1
tepid water requirements.



A WATTS Brand

S19345HXB, S19345HXBT, S19345HFB, S19345HFBT, S19345HXBD, S19345HFBD

Barrier-Free Recessed Drench Shower and Halo Eyewash

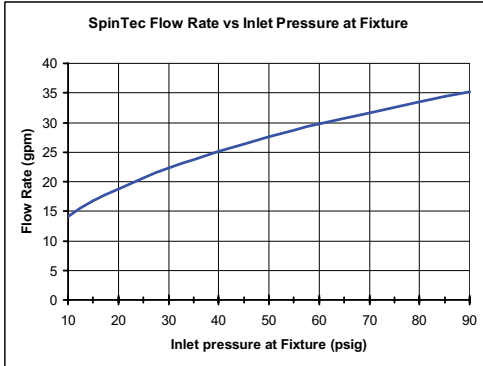
Standard Equipment

Cabinet and Door

Stainless Steel. Hinged locked door conceals stop valve, tailpiece and eye/face wash fittings.

SpinTec™ Showerhead

3-1/10 (78.7mm) diameter highly visible yellow impact-resistant plastic with optional 10 3/4" (273mm) diameter corrosion-resistant stainless steel shroud. SpinTec drench showerhead features integral 22 GPM flow control, conserving water and helping to accurately size your tepid water system.



Shower Valve

Chrome-plated brass 1" NPT stay-open ball valve. Hand operated by a black powder-coated stainless steel handle when pushed downward.

Eyewash Valve

Ceramic 1/2" NPT stay-open valve. The ceramic discs provide a precise 20° activation and deactivation angle, minimizing excessive splashing when the unit is activated.

Eyewash Assembly

The Halo eyewash system offers a high performance rinsing platform that provides rapid relief to an individual's eyes that have been injured by chemicals or particulate. The eyewash includes an integral 5.1 gpm flow control providing water at a safe velocity while maintaining its effectiveness (exceeds minimum water flow of 0.4 GPM at 30 PSI). Safe, steady water flow under varying water supply conditions from 30–90 PSI is assured by integral flow control in the sprayhead assembly.

Pipe and Fittings

1" copper piping, brass and chrome-plated fittings. Piping is supplied by others.

Water Supply

1" NPT for drench shower, 1/2" NPT for eyewash.

Eyewash Waste

1 1/4" drain is provided with tailpiece (models S19345HXB and S19345HFB) or optional P-trap (models S19345HXBT and S19345HFBT). 1-1/2" drain is provided with Daylight Drain, where wastewater drains onto the floor in front of the unit instead of connecting to a building's drainage system (models S19345HXBD and S19345HFBD).



A 4" floor drain is recommended for drench shower waste (supplied by others).

Installation

A rough wall opening of 25 5/8"W x 32 1/8"H x 4"D is required. Frame is integral to the unit. Secure unit to framing with screws (supplied by installer) at the holes provided.

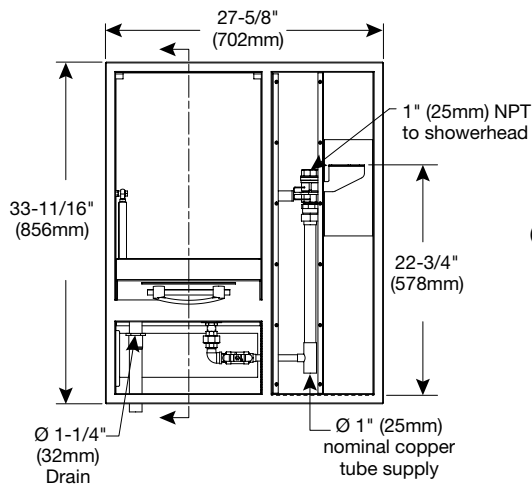


A WATTS Brand

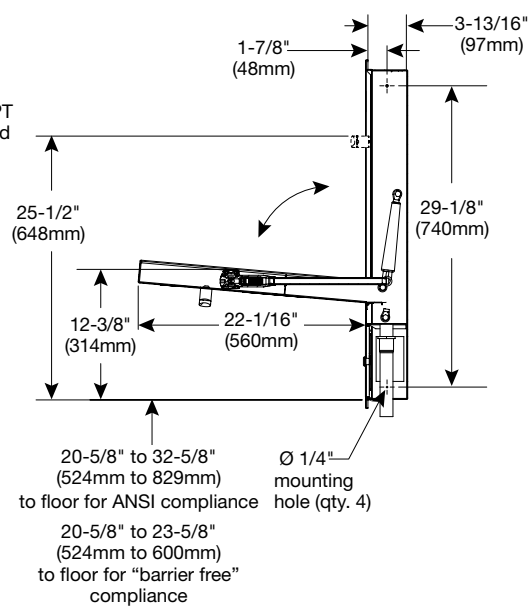
S19345HXB, S19345HXBT, S19345HFB, S19345HFBT, S19345HXBD, S19345HFBD

Barrier-Free Recessed Drench Shower and Halo Eyewash

Front View

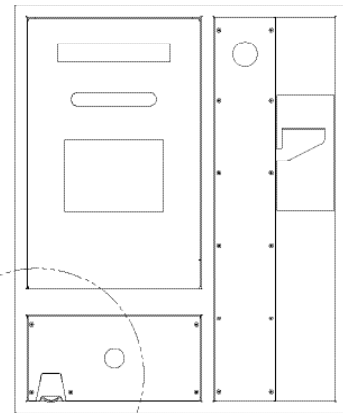
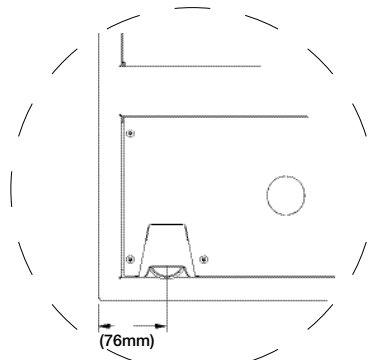
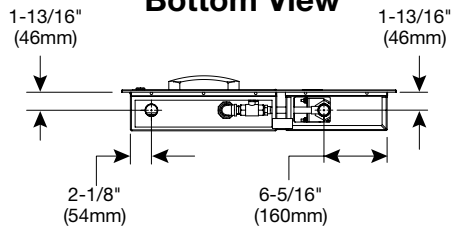


Side View



Bradley recommends mounting at 20-5/8" to accommodate the maximum number of users

Bottom View



S19345HXBD and S19345HFBD

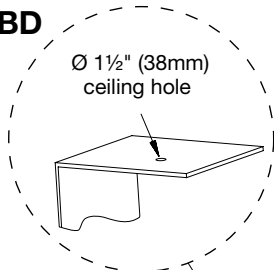


A WATTS Brand

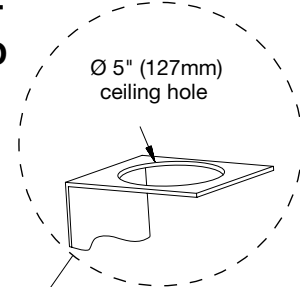
S19345HXB, S19345HXBT, S19345HFB, S19345HFBT, S19345HXBD, S19345HFBD

Barrier-Free Recessed Drench Shower and Halo Eyewash

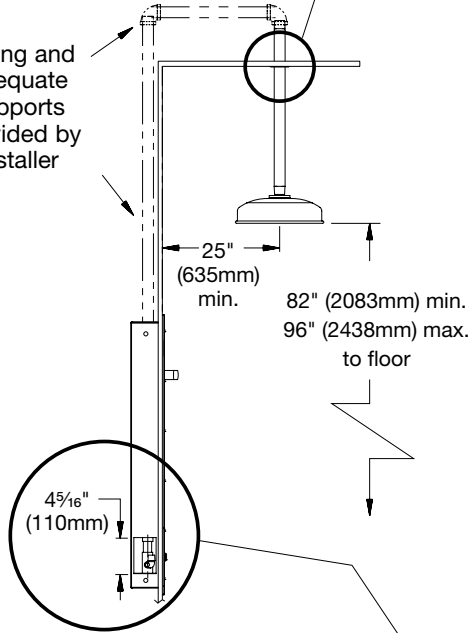
**S19345HXB
S19345HXBT
S19345HXBD**



**S19345HFB
S19345HFBT
S19345HFBD**



Piping and adequate supports provided by installer



Piping and adequate supports provided by installer

